

**RFMW<sup>®</sup>**

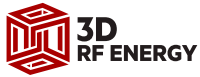
# Product Guide

**Strategically Aligned Distribution**  
With World-leading Manufacturers  
in RF, Microwave, and Power



**NOW Carrying Power Management Products**

# RFMW Premier Suppliers



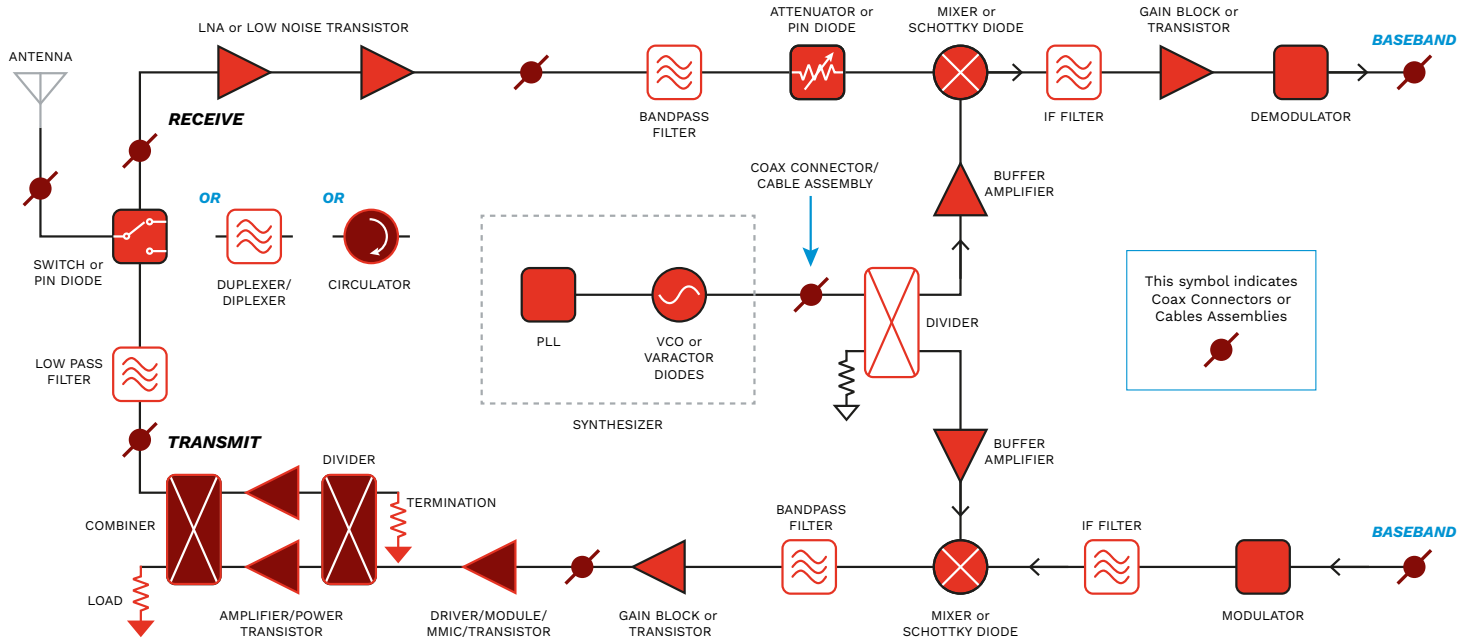
Rosenberger



San-tron



## RF Transceiver Block Diagram



## RFMW Value-Added Services

We provide many value-added services driven by customer requirements:

- Custom Product Development
  - RF & MW Small Signal Active Devices
  - RF & MW High Power >2W
  - RF & MW Interconnects/Cables/Test Accessories
  - RF & MW Passive Components
  - RF & MW Test & Measurement (Coaxial)
- Wireless Design Services  
(Cellular, WiFi, BT, GPS, LORA and more)
  - Engineering & Development
  - Inspection & Failure Analysis
  - Certification & Validation
- Die Services
  - DC Probe
  - Die Package in Waffle or Gel Packs
  - Die Storage
  - Die Visual
- Electrical Test Capabilities
  - RF Power Testing
  - RF / DC Test and Sort
- Hi-Rel & Environmental Screening
- Packaging
  - Transistor & MMIC Die
  - Standard or Custom Packaging
- Material-Related Services
  - Tape & Reel
  - Lead Trim & Form
  - Solder Tinning
  - Kitting
  - Custom Part Marking
- Hybrid Assembly
  - Custom & Build-to-Print



Amplifier Solutions	APA Wireless	CML Microelectronics	Guerrilla RF	Keysight	MACOM Metelics	Marki Microwave	Menlo Micro	Microchip	Micross	MwT, Inc.	Narda-MITEQ	NXP	PtdB	pSemi	Qorvo	Renesas	RF-Lambda	SemiGen	Spectrum Control
---------------------	--------------	----------------------	--------------	----------	----------------	-----------------	-------------	-----------	---------	-----------	-------------	-----	------	-------	-------	---------	-----------	---------	------------------

## RF & MW Small Signal Active

Amplifiers/Gain Blocks/LNAs	•	•	•	•	•	•	•	•	•	•	•	•	•	•	•	•	•	•	•
Attenuators			•	•	•	•	•	•		•		•	•	•	•	•			•
Beamformers											•		•		•				
Clock Sources	•																		
Comb Generators					•	•	•												
Diodes				•	•		•		•		•	•						•	•
Frequency Doublers				•	•										•				
Front-End Modules (FEMs)														•	•	•			
Mixers/Frequency Converters			•	•	•					•	•	•	•	•	•	•			•
Modulators/Demodulators		•													•				
Power Detectors			•															•	
Power Limiters				•	•									•	•		•		
Prescalers				•			•							•					
RFICs/MMICs		•	•		•		•		•		•	•		•					
Switches			•	•	•	•	•	•		•			•	•	•	•	•		•
Transistors								•	•		•	•		•					
VCO/PLL/Synthesizer	•	•									•					•			•



Aethercomm  
 Ampleon  
 Amplifier Solutions  
 DiTom  
 Elite RF  
 Guerrilla RF  
 MACOM Metelics  
 Marki Microwave  
 MECA Electronics  
 Menlo Micro  
 Microchip  
 MWT, Inc.  
 NXP  
 PtdB  
 pSemi  
 Qorvo  
 RfCI  
 RF-Lambda  
 RFUW  
 Smiths Interconnect  
 Spectrum Control  
 TTM (Anaren)  
 XSYSTOR, Inc.

**RF & MW High Power >2W**

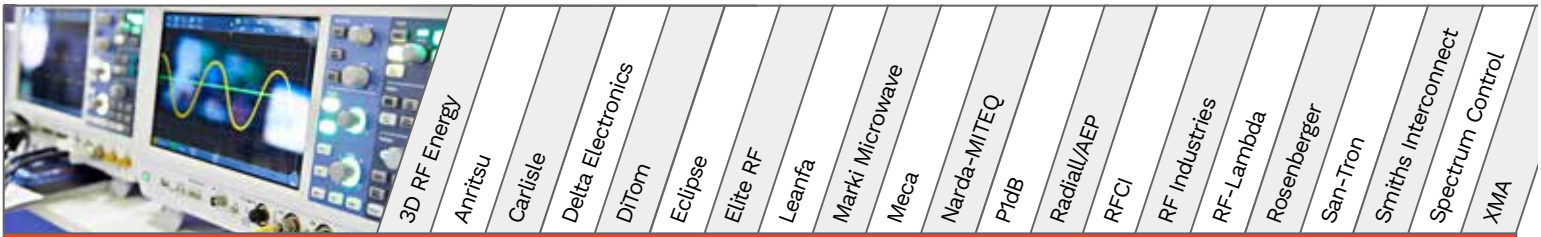
Amplifiers/Modules	●	●	●		●	●						●	●	●	●					●		
Amplifier MMICs		●										●	●		●							
Circulators/Isolators				●										●	●			●			●	
GaN Control Modules																						●
GaN Voltage Switches																						●
Iso-Attenuators															●							
Limiters							●	●						●	●		●	●		●		
Power Dividers/Couplers/ Combiners								●	●					●			●		●	●	●	
Resistors/Attenuators/ Terminations									●					●				●	●	●		
RF Power Transistors		●																				
Switches	●					●								●	●			●	●		●	



Akoustis  
 Citrocomm Technology  
 Cubic Nuvotronics  
 ED2  
 Frontier Electronics  
 Keysight  
 Knowles  
 Marki Microwave  
 MAST Technologies  
 MACOM Metelics  
 Microchip  
 MiniRF  
 MV-Electronics  
 Narda-MITEQ  
 PtdB  
 pSemi  
 Qorvo  
 Rakon  
 Renesas  
 RF-Lambda  
 RFMI  
 RFuW Engineering  
 Sangshin Elecom  
 SemiGen  
 Shoulder Electronics  
 SiTime  
 Smiths Interconnect  
 Southwest Antennas  
 Spectrum Control  
 TST (TAI-SAW)  
 TTM (Anaren)  
 Vishay

## RF & MW Passive

	Akoustis	Citrocomm Technology	Cubic Nuvotronics	ED2	Frontier Electronics	Keysight	Knowles	Marki Microwave	MAST Technologies	MACOM Metelics	Microchip	MiniRF	MV-Electronics	Narda-MITEQ	PtdB	pSemi	Qorvo	Rakon	Renesas	RF-Lambda	RFMI	RFuW Engineering	Sangshin Elecom	SemiGen	Shoulder Electronics	SiTime	Smiths Interconnect	Southwest Antennas	Spectrum Control	TST (TAI-SAW)	TTM (Anaren)	Vishay			
Antennas		•	•	•	•									•														•	•						
Attenuators							•		•				•	•	•	•		•	•		•		•			•		•		•					
Capacitors (RF&MW – All Types)					•	•		•								•					•		•					•				•			
Couplers		•		•	•	•	•			•			•	•						•						•		•		•					
DC Blocks						•	•													•									•						
Delay Lines																												•			•				
Duplexers/Diplexers		•		•			•														•		•					•	•						
Equalizers						•	•																												
Filters (EMI)						•																							•						
Filters (RF/IF)	•	•	•	•	•	•	•		•							•				•	•	•	•	•	•	•	•	•	•	•	•	•	•	•	
Frequency Doublers						•	•																												
Limiters/Limiter Diodes						•	•	•								•	•			•	•	•	•	•				•							
Phase Shifters																•	•			•							•		•						
Power Dividers/Splitters		•				•	•			•			•	•															•		•		•		
Power Resistors/ Terminations (RF&MW )																											•		•		•				
Resonators						•															•	•	•						•						
RF Absorber Material/ Caulk								•																											
Inductors/Transformers/ Baluns (RF&MW – All Types)				•		•		•		•							•					•	•					•		•		•	•		
Timing Solutions (Crystals/Oscillators)									•		•						•	•		•					•	•			•						



**RF Test and Measurement / Coaxial**

	3D RF Energy	Anritsu	Carlisle	Delta Electronics	DiTom	Eclipse	Elite RF	Leanfa	Marki Microwave	Meca	Narda-MITEQ	PtdB	Radial/AEP	RFCI	RF Industries	RF-Lambda	Rosenberger	San-Tron	Smiths Interconnect	Spectrum Control	XMA	
Adapters			•	•					•	•	•	•	•		•	•	•	•	•			
Amplifiers/Gain Blocks/LNAs	•					•	•	•	•	•	•					•						
Attenuators/Terminations		•							•	•	•	•	•		•	•	•			•	•	•
Baluns									•			•										
Bias Tees									•			•										
Cable Assemblies, General Purpose and Custom			•	•						•		•	•		•		•	•	•			
Circulators/Isolators					•				•					•								
Couplers		•				•			•	•	•	•	•		•						•	•
DC Blocks			•						•	•		•				•					•	•
Detectors						•										•						
Equalizers						•			•	•										•	•	•
Filters									•							•				•	•	
Frequency Doublers						•			•													
Limiters						•			•													•
Mixers						•			•		•											
Phase Shifters									•							•						•
Power Dividers		•				•			•	•	•	•	•		•						•	•
Pulse Inverter									•													
Switches						•					•		•									•
Test & Measurement Assessories		•	•	•					•			•	•				•	•	•	•	•	•
Test & Measurement Precision Cables		•	•	•						•		•	•		•	•	•	•	•			

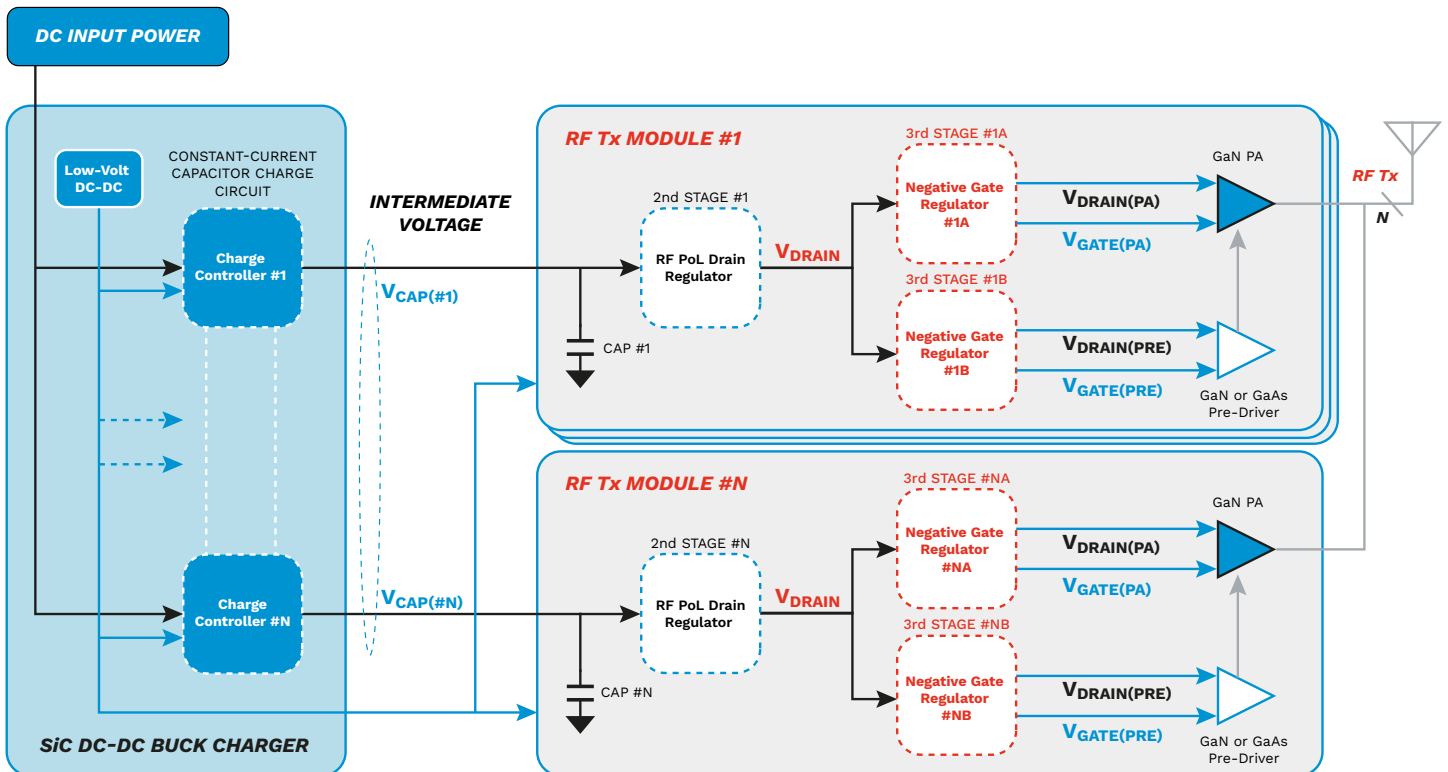
**RF Interconnect / Coaxial Products / Cables**

Adapters		•	•	•								•	•		•	•	•	•	•	•	•	•
Cable Assemblies, General Purpose and Custom				•	•					•		•	•		•		•	•	•			
Coaxial Attenuators/Terminations		•							•	•	•	•	•		•	•	•	•	•	•	•	•
RF Interconnect		•	•	•								•	•		•		•					

RFMW offers power solutions ranging from a few watts to hundreds of kilowatts for a wide variety of industrial, commercial, military and consumer applications. Advanced products and technologies allow for new levels of efficiency, weight, and density in power conversion and control designs. From highly integrated and flexible modular PMIC's, power application controllers and PoL regulators to advanced wide bandgap technology SiC FETs and MPS diodes, RFMW offers products for your design needs.



## Pulsed Phased Array Radar Power Solution







### Power Semiconductors

	Knowles - DLI	Knowles - Novacap	Knowles - Syfer	Menlo Micro	MRC Components	Qorvo	Qorvo UnitedSiC
Battery Charger ICs						•	
DC-DC Converters						•	
Intelligent Battery Monitoring Solutions						•	
Intelligent Motor Controllers						•	
MEMS High Voltage Driver				•			
Modular PMIC						•	
Power Loss Protection						•	
SiC Diodes							•
SiC FETs							•
SiC JFETs							•
Smart Power Relay				•			

### Power Management for RF

	Knowles - DLI	Knowles - Novacap	Knowles - Syfer	Menlo Micro	MRC Components	Qorvo	Qorvo UnitedSiC
Constant Current Capacitor Charger						•	
RF PoL DC-DC Controller						•	
Negative Gate Regulator for GaN & GaAs						•	

### Power Passive and Electromechanical

	Knowles - DLI	Knowles - Novacap	Knowles - Syfer	Menlo Micro	MRC Components	Qorvo	Qorvo UnitedSiC
Common Mode Chokes					•		
EMI Filter and X2Y Capacitors			•				
High Voltage MLC Capacitors		•	•				
High-Q (RF) Capacitors	•		•				
Magnetic Cores					•		
MEMS Power Switch				•			
MLC Capacitors		•	•				
Safety Certified AC Capacitors			•				
Stacked MLC Capacitors		•					

# From Introduction to Production, RFMW is Your Source.

RFMW has been the premier RF & Microwave and specialty distributor for 20 years. And now we're adding **Power Management** to our portfolio. From introduction to production, our team of experts support your component selection, technical design and fulfillment needs.

RFMW supports full supply chain services including dedicated supply chain management support & logistics, VMI, consignment, partial reels, tape and reel, and additional capabilities.

## RFMW STOCKS PRODUCTS IN WORLDWIDE DISTRIBUTION CENTERS FOR FAST DELIVERY



Available  
from Stock

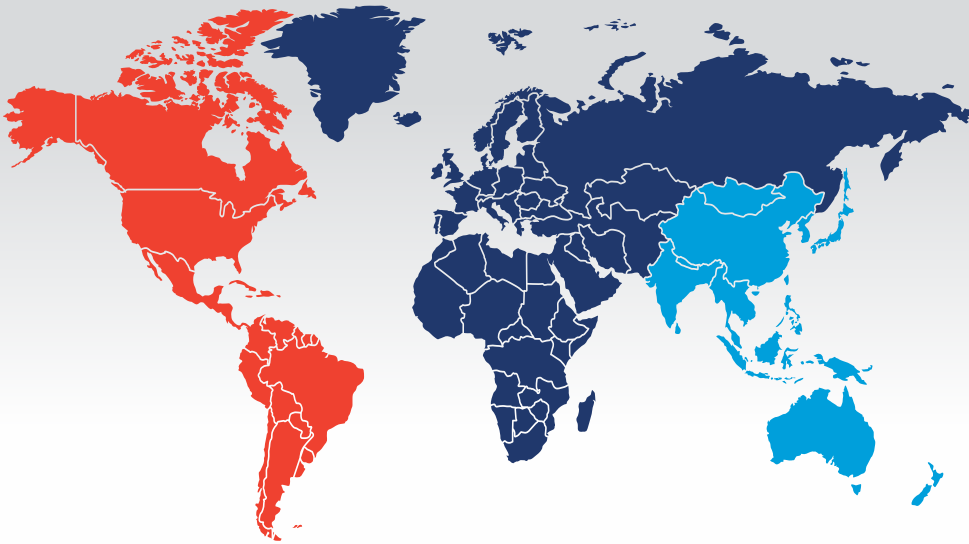


Worldwide  
Distribution



Technical  
Design

## RFMW Worldwide Sales Support



### RFMW AMERICAS

[sales@rfmw.com](mailto:sales@rfmw.com)

### RFMW EUROPE, MIDDLE EAST & AFRICA

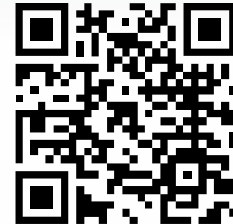
[sales@rfmw.co.uk](mailto:sales@rfmw.co.uk)

[sales@rfmw.eu](mailto:sales@rfmw.eu)

[israelw@rfmw.com](mailto:israelw@rfmw.com)

### RFMW ASIA PACIFIC

[sales@rfmw.asia](mailto:sales@rfmw.asia)



Visit our Contact Page for  
your local office information.



[www.RFMW.com](http://www.RFMW.com)



Toll Free: +1-877-367-7369



[Sales@RFMW.com](mailto:Sales@RFMW.com)



ISO 9001:2015 / AS9120B

